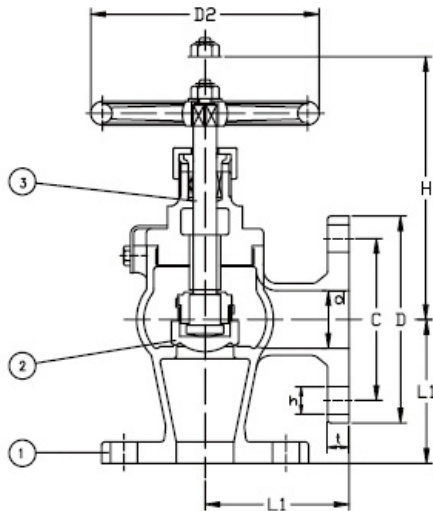




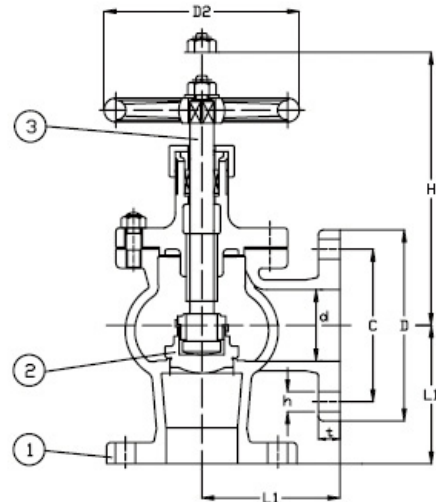
MARINE BRONZE 5K ANGLE VALVE - JIS F7302

MARINE BRONZE 16K ANGLE VALVE - JIS F7304

Manufactured in accordance to JIS F7400
Flanges as per JIS B2220 - 5K or 16K



Screwed Bonnet for sizes 15A-40A



Bolted Bonnet for sizes 50A-65A

No.	Component	Material
1	Body	Bronze
2	Disc	Bronze
3	Stem	Brass

Nominal Pressure		5K	16K
Hydraulic Inspection	Body	10.5kg	33kg
	Seat	7.7kg	24.2kg

Type	Size	L1	D	C	No.	h	t	H	D2	Kg
F7302 5K	15A	55	80	60	4	12	9	120	80	1.98
	20A	60	85	65	4	12	10	130	100	2.73
	25A	65	95	75	4	12	10	145	125	3.44
	32A	80	115	90	4	15	12	150	125	4.77
	40A	85	120	95	4	15	12	165	140	5.99
	50A	100	130	105	4	15	14	200	140	10.10
	65A	115	155	130	4	15	14	220	160	15.60
F7304 16K	15A	70	95	70	4	15	12	120	80	2.73
	20A	75	100	75	4	15	14	130	100	3.65
	25A	85	125	90	4	19	14	145	125	5.16
	32A	95	135	100	4	19	16	150	125	6.72
	40A	100	140	105	4	19	16	165	140	8.13